

Hexagonal ADAPTORS ADAPTATEURS 6 pans

ACCESSORIES

IP PROTECTION :
IP 68 with sealing

OPERATING TEMPERATURE :

- 25 °C / +120 °C (nitrile)
- 20 °C / +200 °C (viton)
- 60 °C / +160 °C (silicone)

MATERIAL :

- Nickel-plated brass
- Available in stainless steel 316L-1.4404-V4A

THREAD :

Metric, PG, NPT

INDICE DE PROTECTION :
IP 68 avec joint

PLAGE DE TEMPÉRATURE :

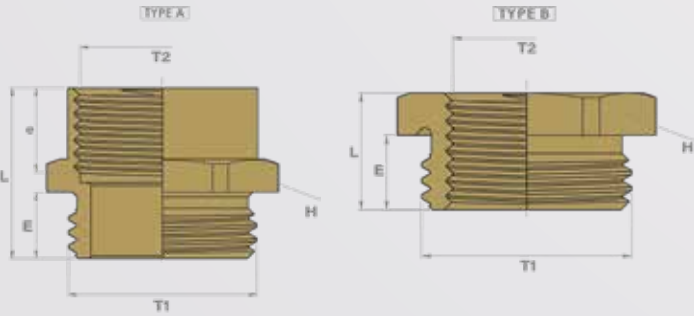
- 25 °C / +120 °C (nitrile)
- 20 °C / +200 °C (viton)
- 60 °C / +160 °C (silicone)

MATIÈRE :

- Laiton nickelé
- Disponible en inox 316L-1.4404-V4A

FILETAGE :

Métrique, PG, NPT



	Thread		Part Number	Type	H	E	e	L
	T1 (M)	T2 (PG)						
Metric/ PG	12	07	J7512070	A	14	7,0	6,0	17,0
	16	07	J7516070	B	18	7,0	-	10,5
	16	09	J7516090	A	18	7,0	7,0	17,5
	16	11	J7516110	A	22	7,0	7,0	18,0
	16	13	J7516130	A	22	7,0	8,5	19,5
	20	09	J7520090	B	22	7,0	-	11,0
	20	11	J7520110	A	22	7,0	7,0	18,0
	20	13	J7520130	A	22	7,0	8,5	19,5
	20	16	J7520160	A	24	7,0	8,5	20,5
	20	21	J7520210	A	32	7,0	11,0	22,5
	25	09	J7525090	B	27	8,0	-	12,0
	25	11	J7525110	B	27	8,0	-	12,0
	25	13	J7525130	B	27	8,0	-	12,0
	25	16	J7525160	A	27	8,0	8,5	21,5
	25	21	J7525210	A	32	8,0	11,0	23,0
	25	29	J7525290	A	40	8,0	11,0	25,0
	32	13	J7532130	B	34	8,5	-	12,5
	32	16	J7532160	B	34	8,5	-	12,5
	32	21	J7532210	A	34	8,5	11,0	23,5
	32	21	J7532212	B	34	8,5	-	12,5
	32	29	J7532290	A	40	8,5	11,0	25,0
	40	21	J7540210	B	42	8,5	-	13,5
	40	29	J7540290	A	42	8,5	11,0	25,0
	40	29	J7540292	B	42	8,5	-	13,5
	50	36	J7540360	A	50	8,5	12,0	28,0
	50	29	J7550290	B	52	9,5	-	15,5
	50	36	J7550360	A	52	9,5	12,0	29,0
	63	42	J7550420	A	57	9,5	15,0	31,5
63	29	J7563290	B	65	10,5	-	17,5	
63	36	J7563360	B	65	10,5	-	17,5	
63	42	J7563420	A	65	10,5	15,0	32,5	
63	42	J7563422	B	65	10,5	-	17,5	
63	48 DIN	J7563490	A	65	10,5	17,0	32,5	
75	48 DIN	J7575490	A	80	11,5	17,0	34,5	

	Thread		Part Number	Type	H	E	e	L
	T1 (PG)	T2 (M)						
PG/ Metric	07	12	J7507100	A	17	6,5	7,5	16,5
	07	16	J7507200	A	19	6,5	7,5	16,5
	09	12	J7509100	B	19	6,5	-	10,0
	09	16	J7509200	A	19	6,5	7,5	16,5
	09	20	J7509300	A	22	6,5	7,5	16,5
	11	16	J7511103	B	22	7,0	-	11,0
	11	20	J7511200	A	22	7,0	7,5	17,0
	11	25	J7511300	A	27	7,0	8,5	18,0
	13	16	J7513107	B	24	7,0	-	11,0
	13	20	J7513200	A	24	7,0	7,5	17,0
	13	25	J7513300	A	27	7,0	8,5	18,0
	16	20	J7516108	A	27	7,0	7,5	16,0
	16	25	J7516200	A	27	7,0	8,5	18,0
	16	32	J7516300	A	36	7,0	9,0	18,5
	21	25	J7521102	B	32	8,0	-	13,0
	21	32	J7521200	A	36	8,0	9,0	19,5
	21	40	J7521300	A	42	8,0	9,0	19,5
	29	32	J7529108	B	40	8,5	-	14,0
	29	40	J7529200	A	42	8,5	9,0	20,0
	29	50	J7529300	A	55	8,5	10,0	21,0
	36	40	J7536106	B	55	8,5	-	15,0
	36	50	J7536200	A	55	8,5	10,0	21,0
	42	50	J7542100	B	58	10,0	-	16,5
	42	63	J7542200	A	65	10,0	11,0	23,5
	48	50	J7549106	B	65	10,0	-	17,0
	48	63	J7549200	A	65	10,0	11,0	23,5
	48	75	J7549300	A	80	10,0	12,0	24,5

	Thread		Part Number	H	E	e	L
	T1 (NPT)	T2 (M)					
NPT/ Metric	3/8"	16	J7508916	20	15,0	7,5	25,0
	3/8"	20	J7508920	23	15,0	7,5	26,0
	3/8"	25	J7508925	28	15,0	8,5	27,0
	1/2"	16	J7512916	23	20,0	8,0	30,0
	1/2"	20	J7512920	23	20,0	7,5	30,0
	1/2"	25	J7512925	28	20,0	8,5	32,0
	3/4"	16	J7520916	28	20,0	-	24,0
	3/4"	20	J7520920	28	20,0	-	24,0
	3/4"	25	J7520925	28	20,0	8,5	30,0
	3/4"	32	J7520932	36	20,0	9,0	33,0
	1"	20	J7528920	36	25,0	-	31,0
	1"	25	J7528925	36	25,0	-	31,0
	1"	32	J7528932	36	25,0	9,0	37,0
	1"	40	J7528940	46	25,0	9,0	38,0
	1 1/4"	25	J7535925	46	25,0	-	36,0
	1 1/4"	32	J7535932	46	25,0	-	36,0
	1 1/4"	40	J7535940	46	25,0	9,0	38,0
	1 1/2"	40	J7541940	52	26,0	-	37,0
	1 1/2"	50	J7541950	55	26,0	10,0	40,0
	1 1/2"	63	J7541963	70	26,0	11,0	41,0
	2"	50	J7547950	65	27,0	-	38,0
	2"	63	J7547963	70	27,0	11,0	42,0