



8816_017_a

FUSERBLOC Live Maintenance DC DIN 43620

References

External / direct operation
63 to 1600 A

Rating (A)	No. of main poles	Fuse size of main poles (DIN 43620)	Pre-charge poles (DIN 43620)	Reference	External front handle	Direct front handle	Shaft for external front handle	Auxiliary contacts	Terminal shrouds
63 to 125 A	2	00	2 x 160 A Size 00	38DR 2012 ⁽¹⁾⁽²⁾	S3 type Black IP65 1433 3111	Black 3899 6011			3998 2016 ⁽⁴⁾
125 to 160 A	2	1*	2 x 160 A Size 00	38DR 2016 ⁽¹⁾⁽²⁾					3998 2025 ⁽⁴⁾
160 to 250 A	2	1*	2 x 160 A Size 00	38DR 2025 ⁽¹⁾⁽²⁾	Red/Yellow IP65 1434 3111		200 mm 1400 1220 320 mm 1400 1232 500 mm 1400 1250	U type 1 contact NC 3999 0701 ⁽³⁾	3898 2080
250 to 400 A	2	3	2 x 160 A Size 00	38DR 2040 ⁽¹⁾⁽²⁾				1 contact NO 3999 0702 ⁽³⁾	
400 to 630 A	2	3	2 x 160 A Size 00	38DR 2063 ⁽¹⁾⁽²⁾	S4 type Black IP65 1443 3111	Black 3899 7011			3898 2120
630 to 900 A	2	3	2 x 160 A Size 00	38DR 2090 ⁽¹⁾⁽²⁾	Red/Yellow IP65 1444 3111				3898 2150
900 to 1100 A	4 (2 //)	3	2 x 160 A Size 00	38DR 4110 ⁽¹⁾⁽²⁾					3898 2160
1100 to 1600 A	4 (2 //)	3	2 x 160 A Size 00	38DR 4160 ⁽¹⁾⁽²⁾					

(1) Coil must be ordered separately.

(2) Include standard fuse protection cover. If fuse microswitch is used please use specific fuse protection cover.

(3) Max 8 contacts (4 already provided with the switch).

(4) IP20 kit, please consult us.

Characteristics according to IEC 60947-3

Products	63 to 125 A	125 to 160 A	160 to 250 A	250 to 400 A	400 to 630 A	630 to 900 A	900 to 1100 A	1100 to 1600 A
Main poles	00	1*	1*	3	3	4	3	4
No. of main poles	2	2	2	2	2	2	4 (2 //)	4 (2 //)
Fuse size of main poles (DIN 43620)	00	1*	1*	3	3	3	3	3
Main poles - Thermal current I_{th} at 40°C (A)								
Thermal current I _{th} at 40°C (A)	125	160	250	400	630	900	1100	1600
Rated insulation voltage U _i (V)	1000	1000	1000	1250	1250	1250	1250	1250
Rated impulse withstand voltage U _{imp} (kV)	8	8	8	12	12	12	12	12
Load duty category	DC-20	DC-20	DC-20	DC-20	DC-20	DC-20	DC-20	DC-20
Main poles - Fuse protected short-circuit withstand								
Current peak value: withstand and making (peak kA)	50	50	50	50	50	50	50	50
Prospective short-circuit current (kA rms) ⁽¹⁾	22.7	32.5	40	70	70	90	70	90
Main poles - Heat dissipation								
Maximum heat dissipation per pole (W)	7.7	15.3	29.3	56.9	70	108	70	108
Pre-load poles								
Fuse size of pre-charge poles (DIN 43620)	00	00	00	00	00	00	00	00
Number of pre-charge poles	2	2	2	2	2	2	2	2
Pre-load poles - Thermal current I_{th} at 40°C (A)								
Thermal current I _{th} at 40°C	160	160	160	160	160	160	160	160
Rated insulation voltage U _i (V) (operation circuit)	1000	1000	1000	1000	1000	1000	1000	1000
Rated impulse withstand voltage U _{imp} (kV) (operation circuit)	8	8	8	8	8	8	8	8
Pre-load poles - Fuse protected short-circuit withstand								
Current peak value: withstand and making (peak kA)	100	100	100	100	100	100	100	100
Prospective short-circuit current (kA rms) ⁽¹⁾	20	20	20	20	20	20	20	20
Pre-load poles - Heat dissipation								
Maximum heat dissipation per pole (W)	6.3	6.3	6.3	6.3	6.3	6.3	6.3	6.3
Mechanical characteristics								
Endurance (number of operating cycles) ⁽²⁾	1500	1500	1500	1500	1500	1500	1500	1500

(1) U_e = 400 VAC with gG fuses (AC value for information only).
(2) 300 max./hour.

Accessories

Coils kit

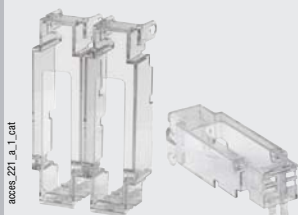


Use

Accessory required for the good functioning of the product.

Voltage	Reference
24 Vdc	38DR C024
230 Vac	38DR A230

Specific protective covers for fitted fuse blown microswitch



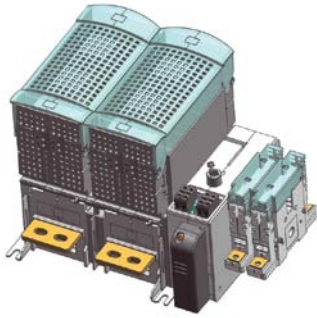
Product	NFC/DIN fuse size	Number of poles	Reference
63 to 125 A	00	2	3990 7015
125 to 160 A	1*	2	3990 7024
160 to 250 A	1*	2	3990 7039
250 to 400 A	3	2	3890 7063
400 to 630 A	3	2	3890 7064
630 to 900 A	3	2	3890 7120
900 to 1100 A	3	4 (2 //)	3890 9063
1100 to 1600 A	3	4 (2 //)	3890 9120

Solid links



Product	NFC/DIN fuse size	Number of poles	Reference
63 to 125 A	00	2	6420 0000
125 to 160 A	1*	2	6421 0001
160 to 250 A	1*	2	6421 0002
250 to 400 A	3	2	6421 0003
400 to 630 A	3	2	6421 0003
630 to 900 A	3	2	6441 0005
900 to 1100 A	3	4 (2 //)	6421 0003
1100 to 1600 A	3	4 (2 //)	6421 0005

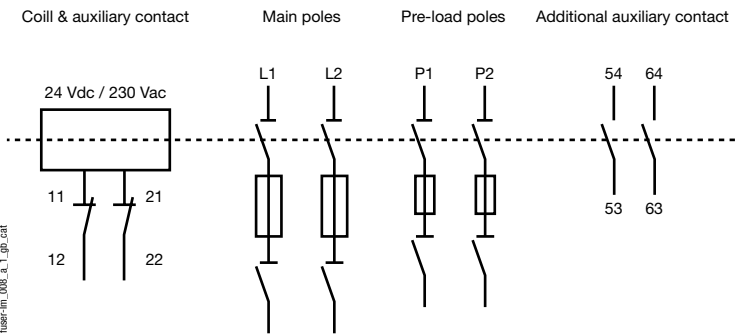
➔ Operating diagram



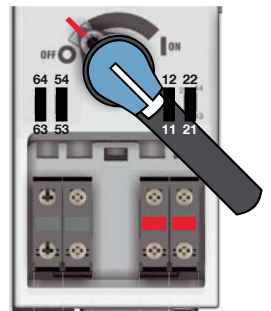
Pre-load auxiliary contact
54 - 53
64 - 63

Auxiliary contact
11 - 12
21 - 22

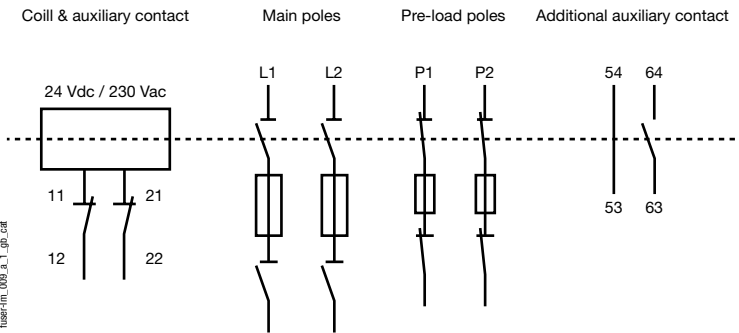
MANUAL - Step 1



fuser-im_008_a_1_gp_cat

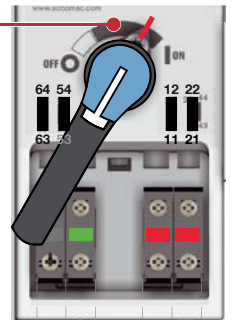


MANUAL - Step 2

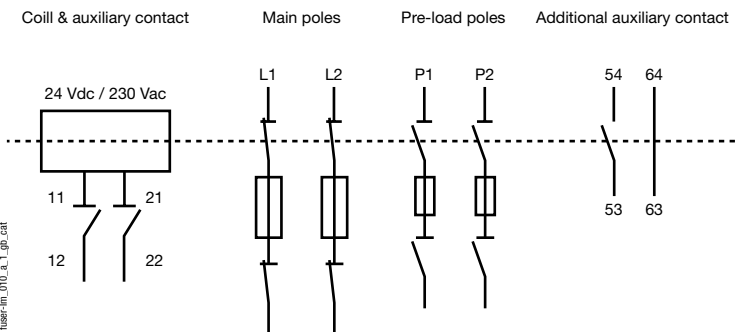


fuser-im_009_a_1_gp_cat

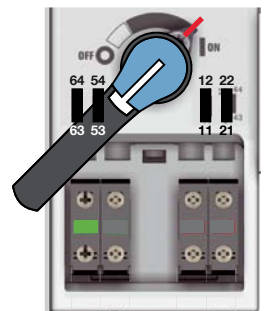
PRE-LOAD POSITION
DO NOT OPERATE TO POSITION OFF



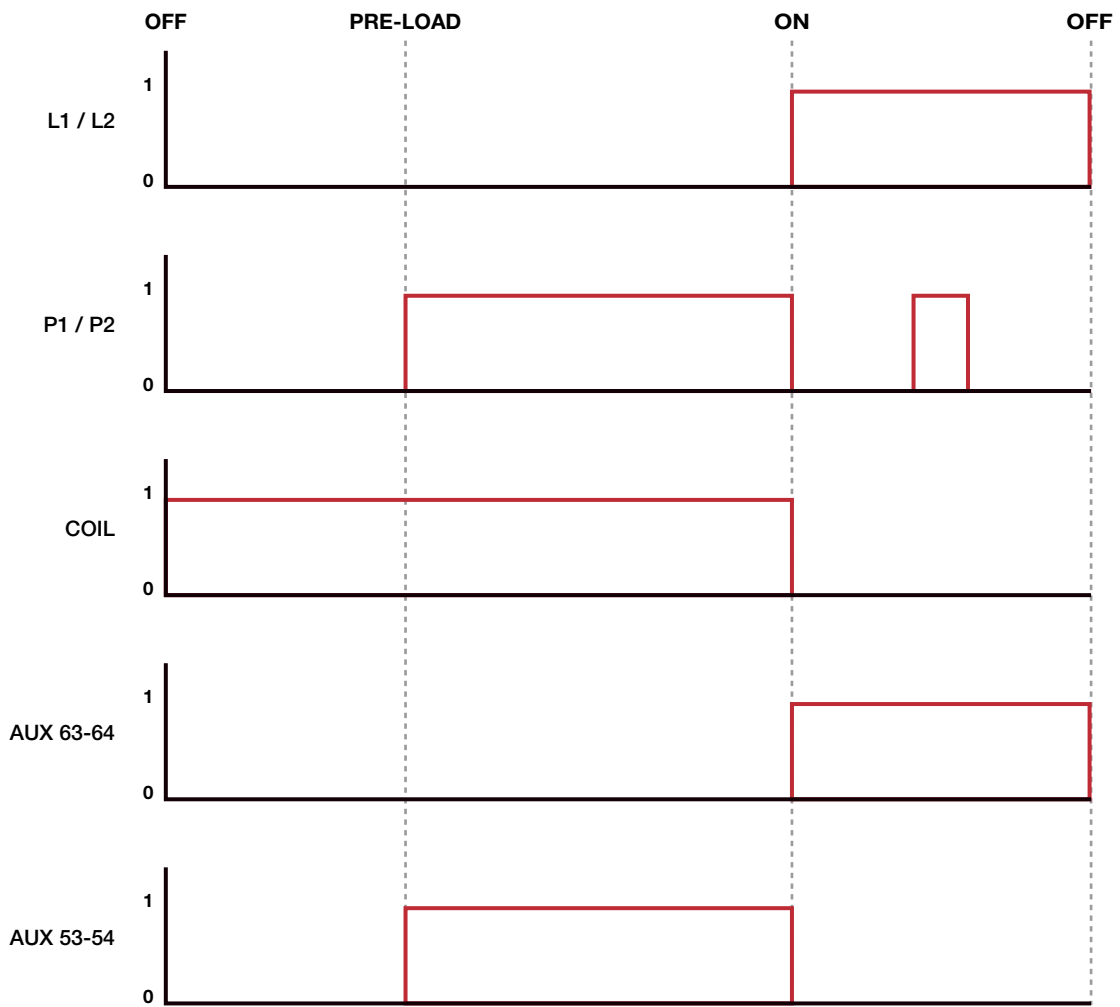
AUTO - Step 3



fuser-im_010_a_1_gp_cat



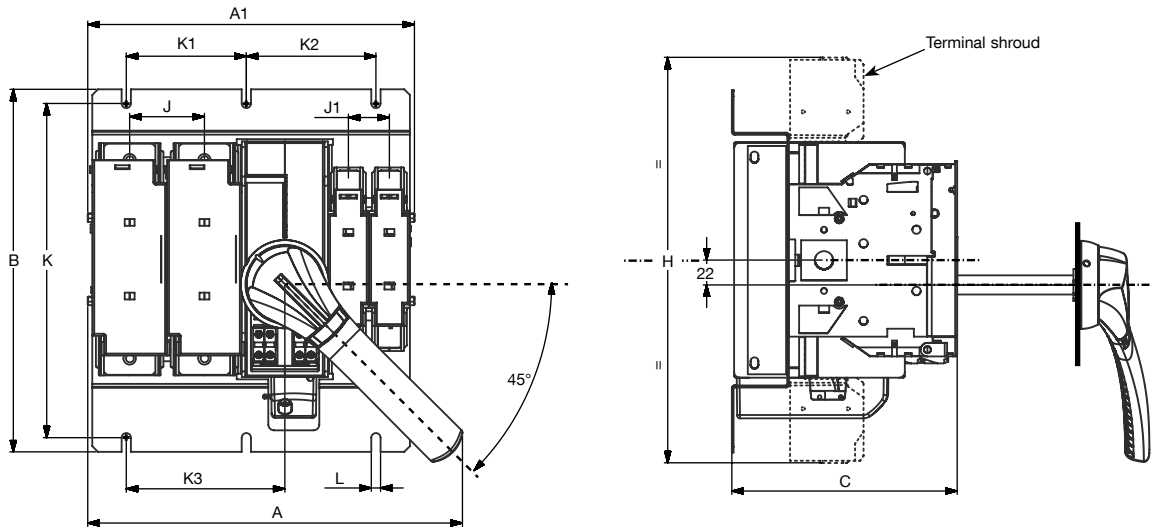
Main poles and auxiliary contacts



fuserbloc_lm_dc_1_gb_cat

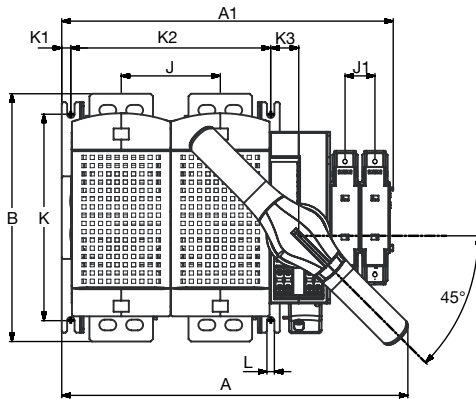
➤ Dimensions

DC switches 60 to 250 A

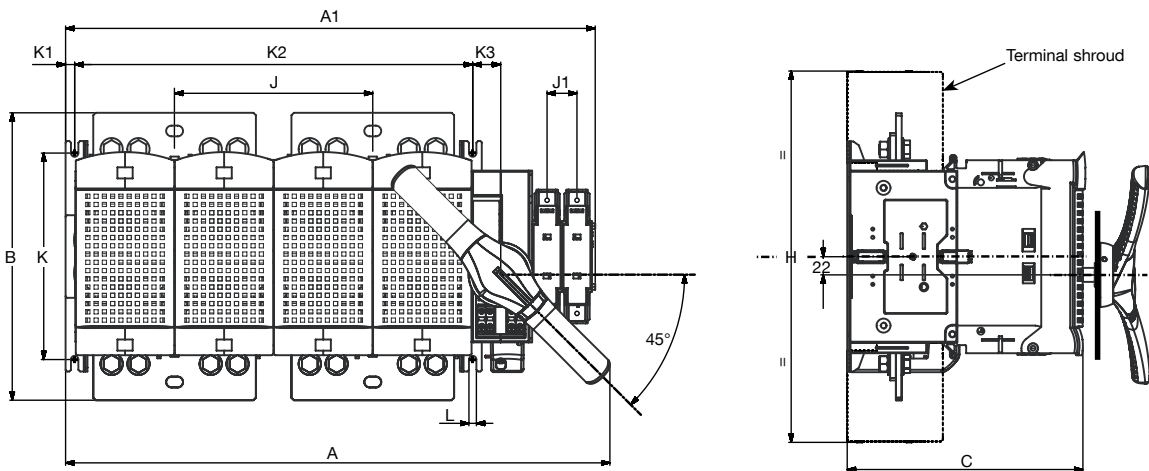


Rating (A)	Unit	A	A1	B	C	H	J	J1	K	K1	K2	K3	L
60 to 125	in	36	48	12.59	7	10.55	1.41	1.41	11.61	6.35	-	3.18	0.32
	mm	271	229	320	178	268	36	36	295	161.5	-	81	8.2
125 to 160	in	12.87	11.20	12.59	7.73	13.58	2.36	1.41	11.61	4.17	4.05	5.51	0.32
	mm	327	284.5	320	196.5	345	60	36	295	106	114.5	140	8.2
160 to 250	in	13.03	11.35	12.59	7.85	14.13	2.59	1.41	11.61	4.17	4.05	5.51	0.32
	mm	331	288.5	320	199.5	359	66	36	295	106	114.5	140	8.2

DC switches 250 to 900 A



DC switches 900 to 1600 A



Rating (A)	Unit	A	A1	B	C	H	J	J1	K	K1	K2	K3	L
250 to 630	in	14.44	13.75	11.81	9.84	18.54	3.70	1.41	9.84	0.43	7.48	1.33	0.35
	mm	367	349.5	300	250	471	94	36	250	11	190	34	9
630 to 900	in	16.49	15.80	11.81	11.25	17.73	4.72	1.41	9.84	0.43	9.52	1.33	0.35
	mm	419	401.5	300	286	450.5	120	36	250	11	242	34	9
900 to 1100	in	21.85	21.16	13.70	9.84	18.54	7.40	1.41	9.84	0.43	14.88	1.33	0.35
	mm	555	537.5	348	250	471	188	36	250	11	378	34	9
1100 to 1600	in	25.94	25.25	13.70	11.25	17.73	9.44	1.41	9.84	0.43	18.97	1.33	0.35
	mm	659	641.5	348	286	450.5	240	36	250	11	482	34	9