

Kabelverschraubung
WADI-TEC Duplo
 Polyamid
 Mehrlochdichtung
 PG-Gewinde, kurz

Cable gland
WADI-TEC Duplo
 Polyamide
 multi-holed sealing
 PG-thread, short

RoHS

IP 68

Material:

- 1/3: Verschraubungskörper/
Hutmutter: Polyamid 6,
25 % glasfaserverstärkt
- 2: Dichtung: Tefabloc

Temperaturbereich:

-30°C bis 120°C

Farbe(n)/Ausführungen:

- lichtgrau, silbergrau, tiefschwarz
- Außengewinde: PG
- kurzes Gewinde
- lange Mehrloch-Dichtung
- Sackloch-Dichtung
- keine Blindstifte erforderlich

Eigenschaften:

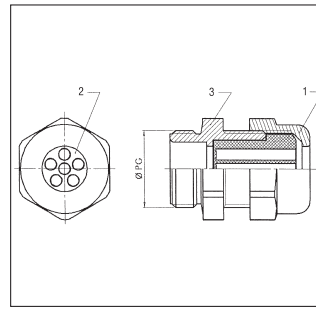
- gas- und wasserdicht
- durchgehend mit Verdrehenschutz
- mit unterschiedlichen Dichteinsätzen
kombinierbar

Zubehör (siehe Kapitel...):

- Gegenmuttern (3.3)
- Montagezange Mon.Za (3.1)

Anwendungsbereiche:

- Maschinen- und Anlagenbau
- Photovoltaik
- Automatisierungstechnik
- Mess- und Regeltechnik



Material:

- 1/3: Gland element/Cap nut:
Polyamide 6,
25 % glasfiber reinforced
- 2: Sealing: Tefabloc

Temperature range:

-30°C to 120°C

Colour(s)/Designs:

- light grey, silver grey, jet black
- External thread: PG
- short thread
- long multi-holed sealing
- Blind hole sealing
- No blind pin required

Characteristics:

- gas and water-tight
- completely twist protected
- combinable with various sealing
inserts

Accessories (see chapter...):

- lock nuts (3.3)
- Mounting tool Mon.Za (3.1)

Applications:

- Machine and apparatus construction
- Photovoltaik
- Automation technology
- Measuring and control engineering

Außen- gewinde	Anzahl	Lochdurch- messer mm	Gewindelänge (E) mm	SW	Gesamtlänge (L) mm	Art.-Nr. lichtgrau RAL 7035	Art.-Nr. tiefschwarz RAL 9005	VE Stck.
External thread	Quantity	Hole diameter mm	Thread length (E) mm	SW mm	Complete length (L) mm	Art. no. light grey RAL 7035	Art. no. jet black RAL 9005	PU pcs.
PG 7	1 x	4,0	8,0	15,0	31,0	5315800	5315600	50
PG 7	1 x	5,0	8,0	15,0	31,0	5315801	5315601	50
PG 9	1 x	5,0	8,0	19,0	32,0	5315810	5315610	50
PG 9	2 x	1,0	8,0	19,0	32,0	5315811	5315611	50
PG 9	2 x	3,0	8,0	19,0	32,0	5315812	5315612	50
PG 9	2 x	3,5	8,0	19,0	32,0	5315813	5315613	50
PG 9	2 x	4,0	8,0	19,0	32,0	5315814	5315614	50
PG 9	3 x	3,0	8,0	19,0	32,0	5315815	5315615	50
PG 9	4 x	3,0	8,0	22,0	34,0	5315816	5315616	50
PG 9	4 x	4,0	8,0	22,0	34,0	5315817	5315617	50
PG 11	2 x	2,3	8,0	24,0	35,0	5315820	5315620	50
PG 11	2 x	3,0	8,0	24,0	35,0	5315821	5315621	50
PG 11	2 x	3,5	8,0	24,0	35,0	5315110	5315500	50
PG 11	2 x	4,0	8,0	27,0	38,0	5315822	5315622	50
PG 11	2 x	5,0	8,0	24,0	35,0	5315111	5315501	50
PG 11	2 x	6,0	8,0	27,0	38,0	5315112	5315502	50
PG 11	3 x	3,0	8,0	24,0	35,0	5315823	5315623	50
PG 11	3 x	3,5	8,0	24,0	35,0	5315113	5315503	50
PG 11	3 x	4,0	8,0	24,0	36,0	5315824	5315624	50
PG 11	3 x	5,0	8,0	27,0	38,0	5315114	5315504	50
PG 11	3 x	5,3	8,0	24,0	35,0	5315825	5315625	50
PG 11	4 x	1,5	8,0	27,0	38,0	5315826	5315626	50
PG 11	4 x	3,5	8,0	24,0	35,0	5315827	5315627	50
PG 11	6 x	2,0	8,0	24,0	35,0	5315828	5315628	50
PG 11	6 x	2,5	8,0	24,0	35,0	5315829	5315629	50
PG 13,5	2 x	3,0	9,0	24,0	36,0	5315830	5315630	50
PG 13,5	2 x	5,0	9,0	24,0	36,0	5315831	5315631	50
PG 13,5	2 x	6,0	9,0	24,0	36,0	5315130	5315510	50
PG 13,5	3 x	2,0	9,0	24,0	36,0	5315832	5315632	50
PG 13,5	3 x	3,0	9,0	24,0	36,0	5315833	5315633	50
PG 13,5	3 x	4,0	9,0	24,0	36,0	5315834	5315634	50
PG 13,5	3 x	5,3	9,0	24,0	36,0	5315835	5315635	50
PG 13,5	3 x	6,0	9,0	27,0	38,0	5315836	5315636	50
PG 13,5	4 x	3,0	9,0	24,0	36,0	5315837	5315637	50
PG 13,5	4 x	4,0	9,0	24,0	36,0	5315838	5315638	50
PG 13,5	4 x	5,0	9,0	27,0	38,0	5315839	5315639	50
PG 13,5	4 x	5,3	9,0	27,0	38,0	5315840	5315640	50
PG 13,5	6 x	3,5	9,0	24,0	36,0	5315841	5315641	50
PG 13,5	10 x	2,0	9,0	24,0	36,0	5315842	5315642	50