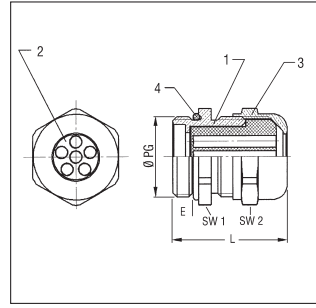


Kabelverschraubung WADI-TEC Duplo

Messing vernickelt
Mehrlochdichtung
metrisches Gewinde, kurz

Cable gland WADI-TEC Duplo

nickel-plated brass
multi-holed sealing
metric thread, short



3.1

RoHS IP 68 EN 50262

- Material:**
- 1/3: Verschraubungskörper/
Hutmutter: Messing vernickelt
 - 2: Dichtung: Tefabloc
 - 4: Dichtung für Außengewinde: Nitril

Temperaturbereich:
-25°C bis 120°C

- Farbe(n)/Ausführungen:**
- Außengewinde: Metrisch
 - kurzes Gewinde
 - lange Mehrloch-Dichtung
 - Sackloch-Dichtung
 - keine Blindstifte erforderlich

- Eigenschaften:**
- gas- und wasserdicht
 - durchgehend mit Verdrehschutz
 - mit unterschiedlichen Dichteinsätzen kombinierbar

- Zubehör (siehe Kapitel...):**
- Gegenmutter (3.3)
 - Montagezange Mon.Za (3.1)

- Anwendungsbereiche:**
- Maschinen- und Apparatebau
 - Mess- und Regeltechnik
 - Anlagenbau und Installationstechnik
 - Chemische Industrie

- Material:**
- 1/3: Gland element/Cap nut:
nickel-plated brass
 - 2: Sealing: Tefabloc
 - 4: Sealing for External thread: Nitrile

Temperature range:
-25°C to 120°C

- Colour(s)/Designs:**
- External thread: metric
 - short thread
 - long multi-holed sealing
 - Blind hole sealing
 - No blind pin required

- Characteristics:**
- gas and water-tight
 - completely twist protected
 - combinable with various sealing inserts

- Accessories (see chapter...):**
- lock nuts (3.3)
 - Mounting tool Mon.Za (3.1)

- Applications:**
- Machines and apparatus construction
 - Measuring and control engineering
 - Plant installations
 - Chemical industry

Außen- gewinde	Anzahl	Loch- durchmesser mm	Gewindelänge (E) mm	SW 1	SW 2	Gesamtlänge (L) mm	Art.-Nr. vernickelt	VE Stck.
External thread	Quantity	Hole diameter mm	Thread length (E) mm	SW 1	SW 2	Complete length (L) mm	Art. no. nickel-plated	PU pcs.
M 16 x 1,5	2 x	1,0	7,0	17,0	17,0	13,0	4249600	50
M 16 x 1,5	2 x	3,0	7,0	17,0	17,0	13,0	4249601	50
M 16 x 1,5	2 x	3,5	7,0	17,0	17,0	13,0	4249602	50
M 16 x 1,5	2 x	4,0	7,0	17,0	17,0	13,0	4249603	50
M 16 x 1,5	3 x	3,0	7,0	17,0	17,0	13,0	4249604	50
M 20 x 1,5	2 x	2,3	7,0	20,0	22,0	28,0	4249610	50
M 20 x 1,5	2 x	3,0	7,0	22,0	22,0	29,0	4249611	50
M 20 x 1,5	2 x	3,5	7,0	20,0	22,0	28,0	4249612	50
M 20 x 1,5	2 x	4,0	7,0	20,0	22,0	28,0	4249613	50
M 20 x 1,5	2 x	5,0	7,0	22,0	22,0	29,0	4249614	50
M 20 x 1,5	2 x	6,0	7,0	22,0	22,0	29,0	4249615	50
M 20 x 1,5	3 x	2,0	7,0	22,0	22,0	29,0	4249616	50
M 20 x 1,5	3 x	3,0	7,0	22,0	22,0	29,0	4249617	50
M 20 x 1,5	3 x	3,5	7,0	20,0	22,0	28,0	4249618	50
M 20 x 1,5	3 x	4,0	7,0	22,0	22,0	29,0	4249619	50
M 20 x 1,5	3 x	5,3	7,0	22,0	22,0	29,0	4249620	50
M 20 x 1,5	4 x	1,5	7,0	20,0	22,0	28,0	4249621	50
M 20 x 1,5	4 x	3,0	7,0	22,0	22,0	29,0	4249622	50
M 20 x 1,5	4 x	3,5	7,0	20,0	22,0	28,0	4249623	50
M 20 x 1,5	4 x	4,0	7,0	22,0	22,0	29,0	4249624	50
M 20 x 1,5	6 x	2,0	7,0	20,0	22,0	28,0	4249625	50
M 20 x 1,5	6 x	2,5	7,0	20,0	22,0	28,0	4249626	50
M 20 x 1,5	6 x	3,5	7,0	22,0	22,0	29,0	4249627	50
M 20 x 1,5	10 x	2,0	7,0	22,0	22,0	29,0	4249628	50
M 25 x 1,5	2 x	4,0	8,0	24,0	26,0	31,0	4249640	20
M 25 x 1,5	2 x	4,5	8,0	30,0	30,0	37,0	4249641	20
M 25 x 1,5	2 x	5,0	8,0	24,0	26,0	31,0	4249642	20
M 25 x 1,5	2 x	6,0	8,0	24,0	26,0	31,0	4249643	20
M 25 x 1,5	2 x	7,0	8,0	24,0	26,0	31,0	4249644	20
M 25 x 1,5	2 x	8,0	8,0	30,0	30,0	37,0	4249645	20
M 25 x 1,5	3 x	3,0	8,0	24,0	26,0	31,0	4249646	20
M 25 x 1,5	3 x	4,0	8,0	24,0	26,0	31,0	4249647	20
M 25 x 1,5	3 x	5,0	8,0	24,0	26,0	31,0	4249648	20
M 25 x 1,5	3 x	5,6	8,0	24,0	26,0	31,0	4249649	20
M 25 x 1,5	3 x	6,0	8,0	24,0	26,0	31,0	4249650	20
M 25 x 1,5	3 x	7,0	8,0	30,0	30,0	37,0	4249651	20
M 25 x 1,5	3 x	8,0	8,0	30,0	30,0	37,0	4249652	20
M 25 x 1,5	4 x	4,0	8,0	24,0	26,0	31,0	4249653	20
M 25 x 1,5	4 x	5,0	8,0	30,0	30,0	37,0	4249654	20
M 25 x 1,5	4 x	6,0	8,0	30,0	30,0	37,0	4249655	20
M 25 x 1,5	5 x	4,0	8,0	24,0	26,0	31,0	4249656	20
M 25 x 1,5	5 x	5,0	8,0	30,0	30,0	37,0	4249657	20