

Wall Mounted | Mild steel

Swing Handle ALS500



To replace the standard lock, an additional hole $\varnothing 46$ mm is required, removing the door profile on the lock side and notch from standard latch.



Protection degree IP 65



For cam lock



For half cylinder



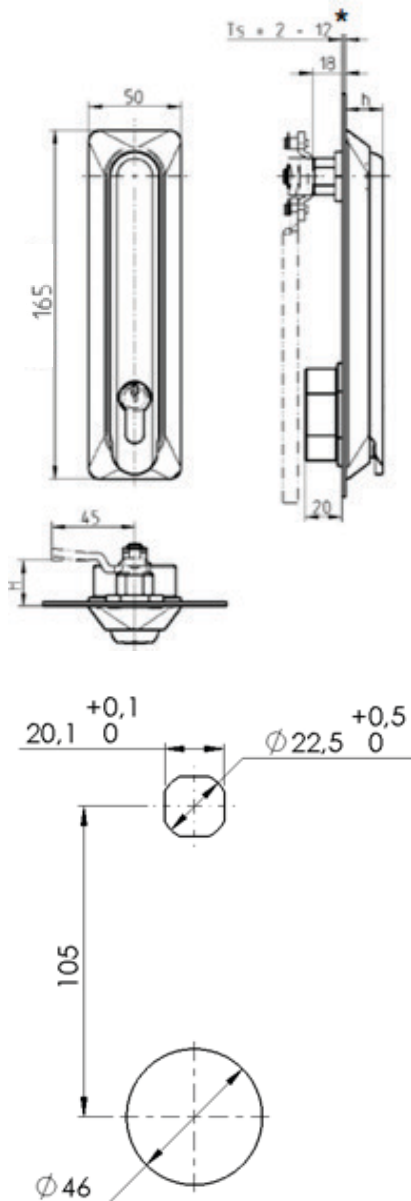
Universal LH / RH



Handle rotation

Available half cylinder:

The Swing handle must be completed with an insert. The insert will be chosen based on the customer requirements from the project.



LSSU521

Half cylinder Ronis 21323C



LSSU522

Ronis Round Prof inserts 21323C



LSSU523

Half cylinder Square 7 mm



LSSU524

Half cylinder Square 8 mm



LSSU526

Half cylinder Triangle 7 mm



LSSU527

Half cylinder Triangle 8 mm



LSSU528

Half cylinder DIN 3 mm



LSSU529

Half cylinder DIN 5 mm



LSSU530

Half cylinder

Note: Other keys are available on request