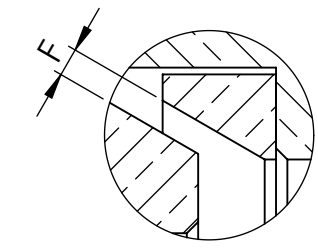
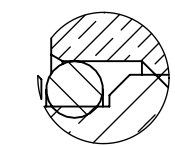


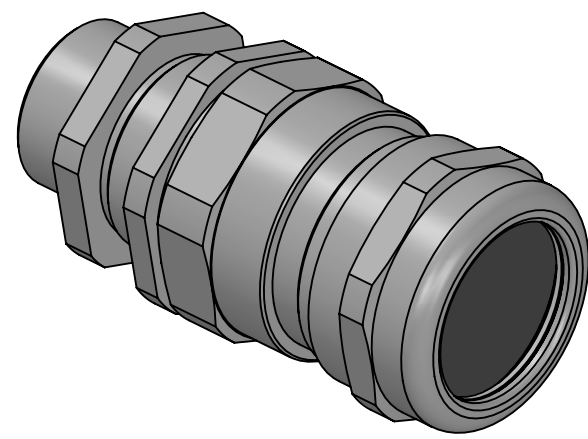
Cable gland	Part number		Thread		Ø Overall cable (A)		Ø Inner sheath (B)		Thickness armour (F in mm)	H1 (mm)	H2 (mm)	H3 (mm)	H4 (mm)	Overall length (mm)	Weight (gr)
	Sizes	Brass	Nickel plated	ISO (metric)	Length (E in mm)	Ømini	Ømaxi	Ømini							
S-E1W12-T5	GB121003E	GB121004E	M12	16	7	12	4	7	1	18	20	20	20	67	73
S-E1W16-T5	GB161003E	GB161004E	M16	16	7	12	4	8	1	20	20	20	20	67	83
S-E1W16-T6	GB161003F	GB161004F	M16	16	9	16	6	12	1,25	18	24	24	24	71	104
S-E1W20-T5	GB201003E	GB201004E	M20	16	7	12	4	8	1	24	20	20	20	67	87
S-E1W20-T6	GB201003F	GB201004F	M20	16	9	16	6	12	1,25	24	24	24	24	71	121
S-E1W20-T7	GB201003G	GB201004G	M20	16	13	21	8,5	15	1,25	28	30	30	30	72	160
S-E1W25-T6	GB251003F	GB251004F	M25	16	9	16	6	12	1,25	28	24	24	24	71	122
S-E1W25-T7	GB251003G	GB251004G	M25	16	13	21	8,5	15,5	1,25	30	30	30	30	72	183
S-E1W25-T8	GB251003H	GB251004H	M25	16	17	27,5	12	19,5	1,6	36	40	40	40	89	340
S-E1W32-T8	GB321003H	GB321004H	M32	16	17	27,5	12	20,5	1,6	40	40	40	40	89	379
S-E1W32-T9	GB321003J	GB321004J	M32	16	22	34	16	25,5	2	44	48	48	48	95	510
S-E1W40-T9	GB401003J	GB401004J	M40	16	22	34	16	27,5	2	48	48	48	48	95	570
S-E1W40-T10	GB401003K	GB401004K	M40	16	28	41	21	33	2	50	55	55	55	100	669
S-E1W50-T10	GB501003K	GB501004K	M50	16	28	41	21	34	2	55	55	55	55	100	768
S-E1W50-T11	GB501003L	GB501004L	M50	16	34	48	27	41	2,5	64	64	64	64	110	980
S-E1W63-T12	GB631003M	GB631004M	M63	16	39	54	33	46	2,5	70	70	70	70	112	1274
S-E1W63-T13	GB631003N	GB631004N	M63	16	48	65	40	54	2,5	80	85	85	90	128	2183
S-E1W75-T13	GB751003N	GB751004N	M75	18	48	65	40	54	2,5	85	85	85	90	128	2343
S-E1W75-T14	GB751003P	GB751004P	M75	18	55	74	47	65	2,5	90	95	95	100	140	2759
S-E1W80-T14	GB801003P	GB801004P	M80	20	55	74	47	65	2,5	95	95	95	100	140	2926
S-E1W80-T15	GB801003Q	GB801004Q	M80	20	65	83	54	71	3,15	100	110	110	125	151	4001
S-E1W90-T15	GB901003Q	GB901004Q	M90	22	65	83	54	74	3,15	110	110	110	125	151	4273
S-E1W90-T16	GB901003R	GB901004R	M90	22	74	93	63	79	3,15	110	120	120	125	151	4264
S-E1W100-T16	GB991003R	GB991004R	M100	22	74	93	63	82	3,15	120	120	120	125	151	4515



DÉTAIL B
Clamping zone

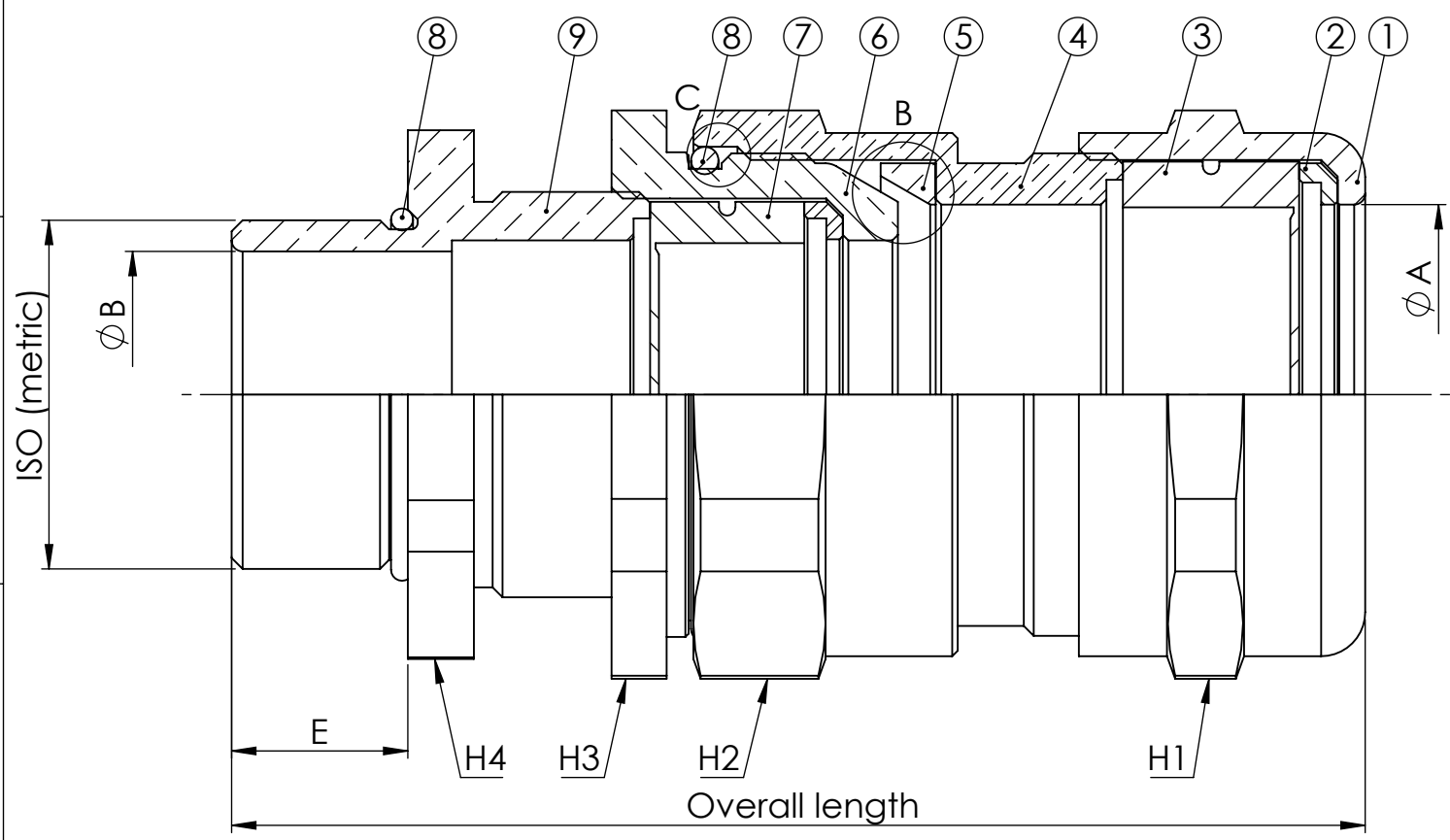


DÉTAIL C
Deluge zone



PROPERTIES	
Temperatre	-40 / 100 °C
Protection grade	IP66 / IP68

LANDMARK	PRODUCT DESCRIPTION	MATERIAL
1	Pressing screw	Brass
2	Anti rotation ring	Polyamide
3	Packing ring	Neopren
4	Intermediate body	Brass
5	Clamping ring	Brass
6	Clamping body	Brass
7	Packing ring	Neopren
8	O-ring	Nitrile
9	Implementation body	Brass



A New drawing		VHN	04/06/18												
IND MODIFICATIONS		NOM	DATE	VERIFIE	DATE										
MATIERE :		DIMENSIONS :		ETAT FINAL :											
DESIGNATION :		CODE :		ECH : 3:2											
TOLERANCE GENE : +/- 0.2		DESSINE PAR : HIVIN	DATE : 04/04/18	VERIFIE PAR :	DATE :										
<table border="1"> <tr> <th>N.F</th> <th>EXCLUS</th> <th>INCLUS</th> <th>FIN</th> <th>MOYEN</th> </tr> <tr> <td> </td> <td> </td> <td> </td> <td> </td> <td> </td> </tr> </table>		N.F	EXCLUS	INCLUS	FIN	MOYEN						<p>SCHLEMMER Industry & Building parts S-E1W (Brass) Clamping ring / deluge protection / Double compression Suitable for all armoured cables (SWA, GSWB, STA, AWA)</p>		<p>Ce document est la propriété de SIB - ADR. Il ne peut être communiqué à des tiers sans son autorisation.</p> <p>A3</p> <p>CLIENT :</p> <p>PLAN CLIENT N° :</p> <p>PLAN SIB N° : GBXX1003</p> <p>IND A</p>	
N.F	EXCLUS	INCLUS	FIN	MOYEN											
RUGOSITE GENE : Ra 3.2		SUIVANT NORME :		POIDS (g) :											

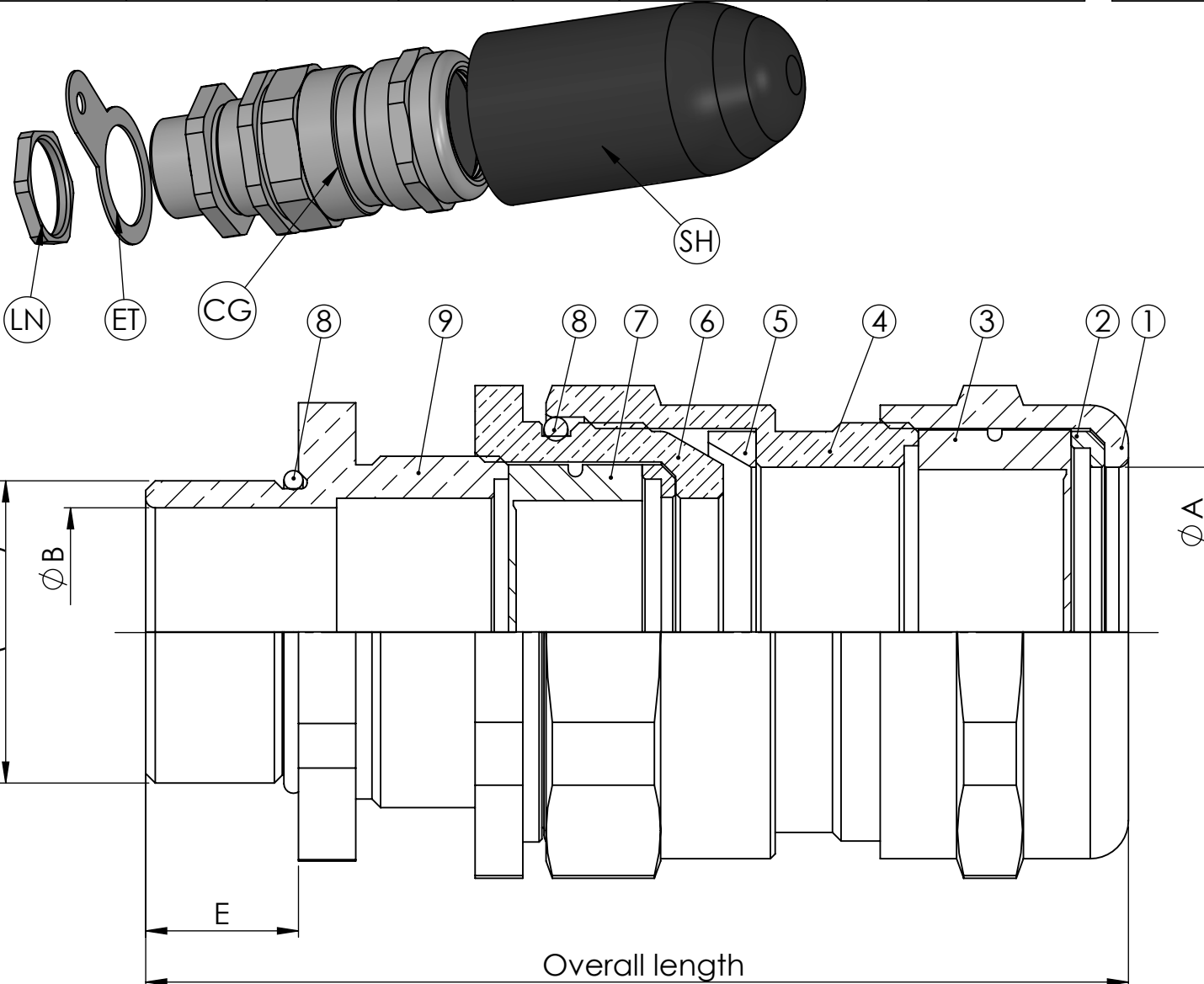
Cable gland	Part Number	Thread		Ø Overall cable (A)		Ø Inner sheath (B)		Overall length
		ISO (metric)	Length (E in mm)	Ømini	Ømaxi	min	MAX	
S-E1W12-T5	GB121003E	M12	16	7	12	4	7	67
S-E1W16-T5	GB161003E	M16	16	7	12	4	8	67
S-E1W16-T6	GB161003F	M16	16	9	16	6	12	71
S-E1W20-T5	GB201003E	M20	16	7	12	4	8	67
S-E1W20-T6	GB201003F	M20	16	9	16	6	12	71
S-E1W20-T7	GB201003G	M20	16	13	21	8,5	15	72
S-E1W25-T6	GB251003F	M25	16	9	16	6	12	71
S-E1W25-T7	GB251003G	M25	16	13	21	8,5	15,5	72
S-E1W25-T8	GB251003H	M25	16	17	27,5	12	19,5	89
S-E1W32-T8	GB321003H	M32	16	17	27,5	12	20,5	89
S-E1W32-T9	GB321003J	M32	16	22	34	16	25,5	95
S-E1W40-T9	GB401003J	M40	16	22	34	16	27,5	95
S-E1W40-T10	GB401003K	M40	16	28	41	21	33	100
S-E1W50-T10	GB501003K	M50	16	28	41	21	34	100
S-E1W50-T11	GB501003L	M50	16	34	48	27	41	110
S-E1W63-T12	GB631003M	M63	16	39	54	33	46	112
S-E1W63-T13	GB631003N	M63	16	48	65	40	54	128
S-E1W75-T13	GB751003N	M75	18	48	65	40	54	128
S-E1W75-T14	GB751003P	M75	18	55	74	47	65	140
S-E1W80-T14	GB801003P	M80	20	55	74	47	65	140
S-E1W80-T15	GB801003Q	M80	20	65	83	54	71	151
S-E1W90-T15	GB901003Q	M90	22	65	83	54	74	151
S-E1W90-T16	GB901003R	M90	22	74	93	63	79	151
S-E1W100-T16	GB991003R	M100	22	74	93	63	82	151

Earth tag (ET)		Lock nut (LN)		
Part number	Thickness (mm)	Part number	SW	Thickness (mm)
N9812100	1	D4312100	15	3
N9816100	1	D4316008	20	3
N9816100	1	D4316008	20	3
N9820100	1	D4320100	24	3,5
N9820100	1	D4320100	24	3,5
N9820100	1	D4320100	24	3,5
N9820100	1	D4320100	24	3,5
N9825100	1	D4325000	30	3,5
N9825100	1	D4325000	30	3,5
N9825100	1	D4325000	30	3,5
N9825100	1	D4325000	30	3,5
N9832100	1	D4332008	35	4,5
N9832100	1	D4332008	35	4,5
N9840100	1,2	D4340003	45	4,5
N9840100	1,2	D4340003	45	4,5
N9850100	1,2	D4350002	55	5,5
N9850100	1,2	D4350002	55	5,5
N9863100	1,3	D4363002	70	6
N9863100	1,3	D4363002	70	6
N9875100	1,3	D4375005	80	8
N9875100	1,3	D4375005	80	8
N9880100	1,5	D4380000	90	10
N9880100	1,5	D4380000	90	10
N9890100	1,5	D4390000	100	12
N9890100	1,5	D4390000	100	12
N9899100	1,5	D4399000	110	12

Earth tag (ET)		Lock nut (LN)		
Part number	Thickness (mm)	Part number	SW	Thickness (mm)
N9812100	1	D4312100	15	3
N9816100	1	D4316008	20	3
N9816100	1	D4316008	20	3
N9820100	1	D4320100	24	3,5
N9820100	1	D4320100	24	3,5
N9820100	1	D4320100	24	3,5
N9820100	1	D4320100	24	3,5
N9825100	1	D4325000	30	3,5
N9825100	1	D4325000	30	3,5
N9825100	1	D4325000	30	3,5
N9825100	1	D4325000	30	3,5
N9832100	1	D4332008	35	4,5
N9832100	1	D4332008	35	4,5
N9840100	1,2	D4340003	45	4,5
N9840100	1,2	D4340003	45	4,5
N9850100	1,2	D4350002	55	5,5
N9850100	1,2	D4350002	55	5,5
N9863100	1,3	D4363002	70	6
N9863100	1,3	D4363002	70	6
N9875100	1,3	D4375005	80	8
N9875100	1,3	D4375005	80	8
N9880100	1,5	D4380000	90	10
N9880100	1,5	D4380000	90	10
N9890100	1,5	D4390000	100	12
N9890100	1,5	D4390000	100	12
N9899100	1,5	D4399000	110	12

Shroud (SH)	
Part number	Part number
N0805000	KB121002E
N0805000	KB161002E
N0806000	KB161002F
N0805000	KB201002E
N0806000	KB201002F
N0807000	KB201002G
N0806000	KB251002F
N0807000	KB251002G
N0808000	KB251002H
N0808000	KB321002H
N0809000	KB321002J
N0809000	KB401002J
N0810000	KB401002K
N0810000	KB501002K
N0811000	KB501002L
N0812000	KB631002M
N0813000	KB631002N
N0813000	KB751002N
N0814000	KB751002P
N0814000	KB801002P
N0815000	KB801002Q
N0815000	KB901002Q
N0816000	KB901002R
N0816000	KB991002R

Kit (CG-SH-LN-ET)	
Part number	Part number
N0805000	KB121002E
N0805000	KB161002E
N0806000	KB161002F
N0805000	KB201002E
N0806000	KB201002F
N0807000	KB201002G
N0806000	KB251002F
N0807000	KB251002G
N0808000	KB251002H
N0808000	KB321002H
N0809000	KB321002J
N0809000	KB401002J
N0810000	KB401002K
N0810000	KB501002K
N0811000	KB501002L
N0812000	KB631002M
N0813000	KB631002N
N0813000	KB751002N
N0814000	KB751002P
N0814000	KB801002P
N0815000	KB801002Q
N0815000	KB901002Q
N0816000	KB901002R
N0816000	KB991002R



PROPERTIES	
Temperatre	-40 / 100 °C
Protection grade	IP66 / IP68

LANDMARK	PRODUCT DESCRIPTION	MATERIAL
1	Pressing screw	Brass
2	Anti rotation ring	Polyamide
3	Packing ring	Neopren
4	Intermediate body	Brass
5	Clamping ring	Brass
6	Clamping body	Brass
7	Packing ring	Neopren
8	O-ring	Nitrile
9	Implementation body	Brass
LN	Lock nut	Brass
ET	Earth tag	Brass
SH	Shroud	PVC

A New drawing		VHN	04/06/18										
IND MODIFICATIONS		NOM	DATE										
MATIERE :		ETAT FINAL :											
DESIGNATION :		ECH: 3:2											
TOLERANCE GENE : +/- 0.2		DESSINE PAR : HIVIN	DATE : 04/04/18										
RUGOSITE GENE : Ra 3.2		VERIFIE PAR :	DATE :										
<table border="1"> <tr> <th>N.F</th> <th>EXCLUS</th> <th>INCLUS</th> <th>FIN</th> <th>MOYEN</th> </tr> <tr> <td> </td> <td> </td> <td> </td> <td> </td> <td> </td> </tr> </table>		N.F	EXCLUS	INCLUS	FIN	MOYEN						<p>SCHLEMMER Industry & Building parts S-E1W (Brass) Clamping ring / deluge protection / Double compression Suitable for all armoured cables (SWA, GSWB, STA, AWA)</p>	
N.F	EXCLUS	INCLUS	FIN	MOYEN									
SUIVANT NORME :		POIDS (g) :											
Ce document est la propriété de SIB - ADR. Il ne peut être communiqué à des tiers sans son autorisation.		A3											
CLIENT :		PLAN CLIENT N° :											
PLAN SIB N° :		IND											
GBXX1003		A											